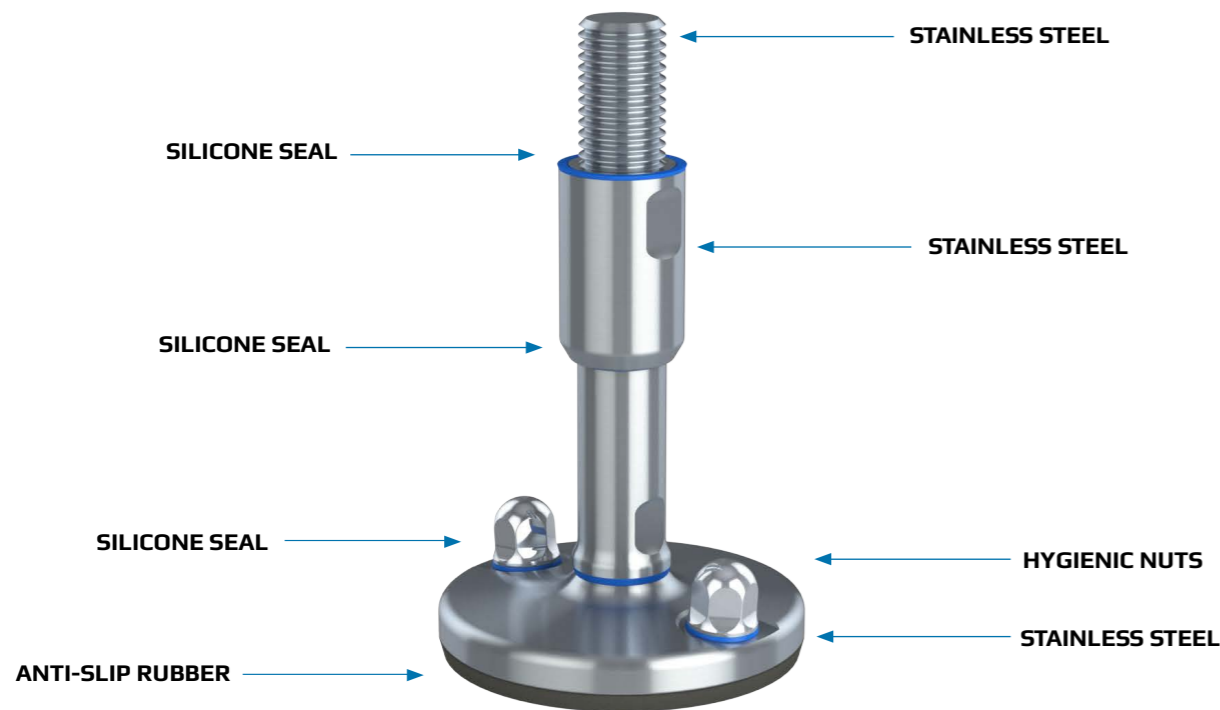


CLEANING & MAINTENANCE CERTIFIED HYGIENIC LEVELLING FEET



CLEANING

1. Rinse with water (maximum temperature ~40°C on proteins).
2. Distribute and cover all surfaces with foaming alkaline detergent for minimum 10 minutes. All standard products within the industry can be used. Follow supplier recommendations for temperature (maximum 100°C) and concentration depending on foaming detergent.
3. Rinse with hot water (maximum 100°C) with low-medium pressure (approximately 8-12 bar) until it is visibly clean. Cleaning of the levelling foot including sealings and dome-headed nuts can normally be done with a spraying nozzle pointing in a downwards direction approximately 45°. For heavy duty cleaning a more direct-oriented nozzle can be necessary. Be careful not to damage the sealings if high pressure cleaning is used. Keep nozzle at minimum 200-300 mm distance.
4. Mechanical cleaning may be necessary if the levelling foot is severely soiled. Cleaning must be executed with a soft brush or soft plastic scraper together with a more direct pointing nozzle spray. Steel scraper, steel brush or other sharp metallic tools are strictly prohibited, since the sealings can be severely damaged and the steel surfaces will be scratched.

MAINTENANCE

1. If the sealings on the sleeve are damaged they must be replaced. Always use genuine spare parts from NGI.
2. If the sealing between the foot and the spindle is damaged, replace the whole levelling foot and install a new one. An assembled levelling foot cannot be separated.
3. Load on the levelling foot must be obtained in order for the footplate to be hygienically sealed to the floor.
4. For a levelling foot for floor fixing always make sure that the floor fixing nut or bolt is tightened as specified in the installation manual. Tighten if necessary. If replacement of nuts or washers is always use genuine spare parts from NGI.
5. If any readjustments are necessary the levelling foot and the nearest surroundings must be cleaned carefully to prevent any soil from entering the sleeve.

INSTALLATION XHJS + XHJC

It is important to follow these instructions in order to ensure the certified hygienic design and functionality.

This documentation is enclosed with the levelling feet and should always be handed over to the end-user.

1. Prior to installation of the levelling foot ensure that the floor does not exceed maximum slope.
2. When installing, make sure that the footplate does not span over cracks, grout lines or other floor imperfections. If unavoidable, seal the cavity with bonding material under and around the edge of the footplate.
3. Lift or jack up the machinery or equipment to install the levelling foot.
4. Make sure that the sealing is correctly fixed on top of the sleeve. Grease the exposed thread with FoodLube Universal Grease and make sure to remove any excess grease after installation.
5. Install the levelling foot and use a wrench to adjust the vertical position and make sure that the engagement is no less than the diameter of the thread.

Repeat step 4-5 for all feet supporting the machinery.

6. Lower the machinery so that the feet rest on the floor. Perform final height and levelling adjustments if needed and ensure that the load is uniformly distributed on all feet.
7. Use a wrench to rotate and tighten the sleeve against the machinery or equipment. Make sure that the sleeve is tightened to counter-lock the levelling foot and cover the thread.



If the levelling foot is not fully inserted into the machinery or equipment the thread will become partly exposed. In this case, it is not correctly installed and will neither meet 3A, USDA & EHEDG hygienic demands nor load specifications.

