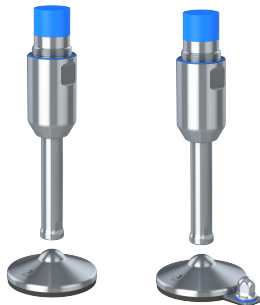


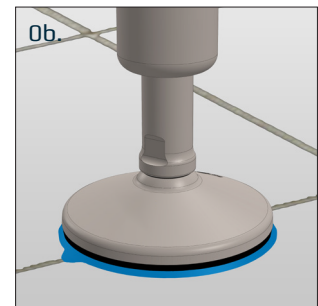
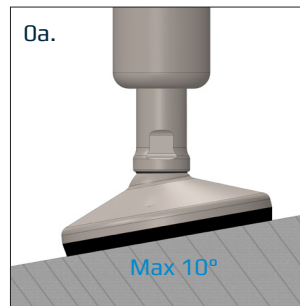
INSTALLATION MANUAL XHFVT



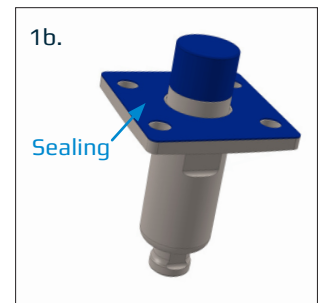
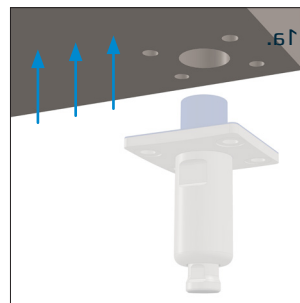
INSTALLATION OF XHFVT FOOT ASSEMBLY

This guideline describes how to install the XHFVT foot assembly onto the machine or component for which it is intended to support.

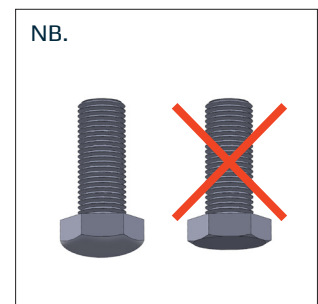
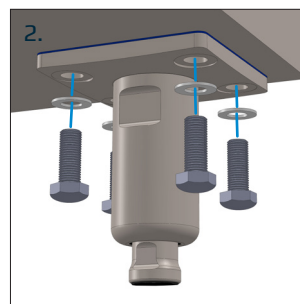
- 0a. Prior to installation of the foot assembly ensure that the incline of floor area intended to support the foot plate does not exceed 10 degrees relative to horizontal.
- 0b. Assure that the foot pad will not span over cracks, grout lines or other floor imperfections when mounted. If unavoidable the cavity between the load bearing foot assembly and the floor must be sealed with injecting bonding material under and around the edge of the load bearing foot.



- 1a. Lift/Jack up the machine for free access to mount the foot assembly.
- 1b. Check that the sealing is correctly mounted between the machine and the foot assembly.



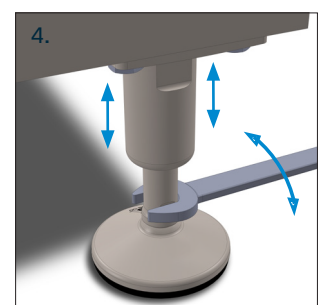
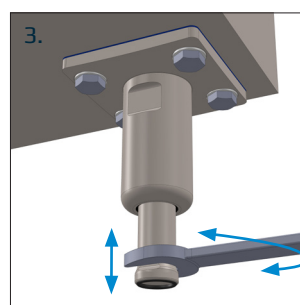
- 2. Insert dome head screws with sealing washers into the four holes and tighten the screws with a torque wrench. Apply a torque of maximum 33 Nm.



- NB. Standard hexagon screws are prohibited and metal to metal contact must be avoided.

- 3. Use a wrench to adjust the height of the machine foot assembly.

NB. Spindle can be adjusted to max. height (a fixed position) without any threads exposed.



- 4. Lower the machine so that the machine feet assemblies rest on the floor. Perform final height adjustment if needed and ensure that the load is uniformly distributed

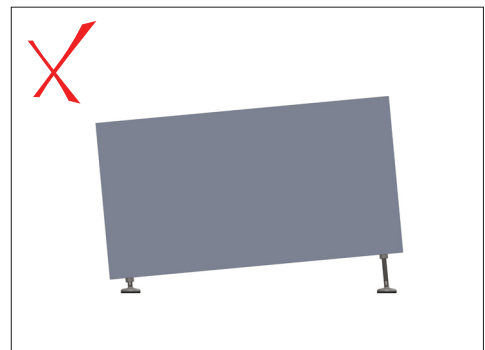
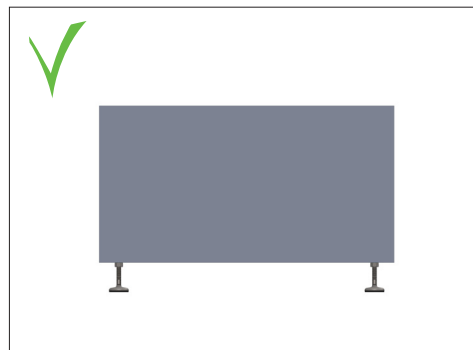
BEST PRACTICES

POSITIONING OF LEGS UNDER MACHINE

For the optimal positioning of the machine, the machine feet must be positioned in accordance with a few guidelines.

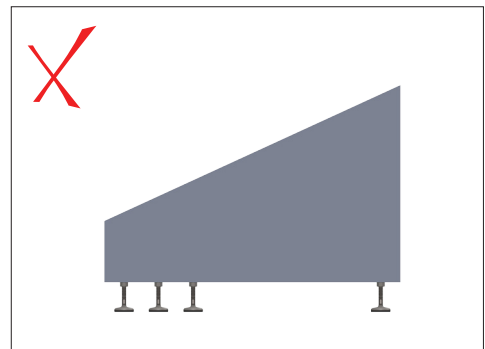
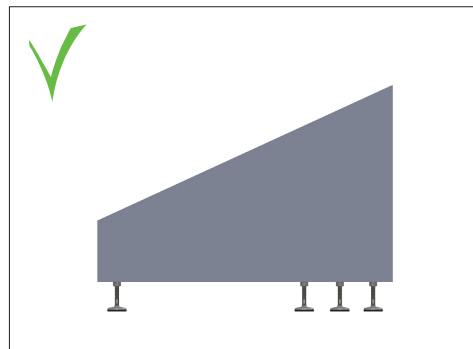
Level

The machine must be level



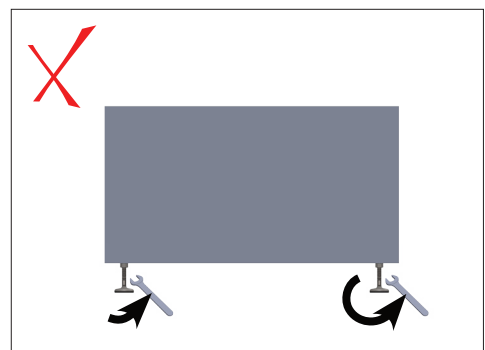
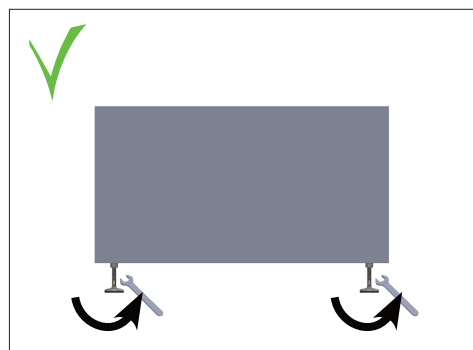
Even load

If the weight of the machine is not distributed evenly, the machine feet should be placed as illustrated.



Leveling

In order of achieving the highest level of stability the machine feet should be adjusted as illustrated (adjust with the same amount of tension on each foot)



Sloping floor

For a stable result the maximum slope of the floor may not exceed the recommendations for the specific foot.

